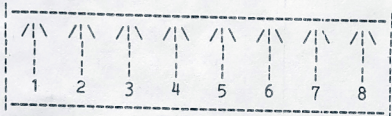


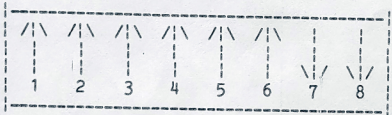
OB-SX DIP SWITCH OPERATION



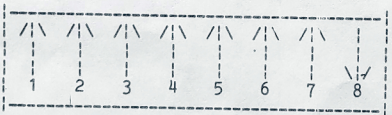
FOUR VOICE
AUTO-TUNE ENABLED



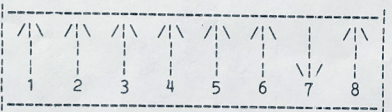
SIX VOICE
AUTO-TUNE ENABLED



SIX VOICE
AUTO-TUNE DISABLED

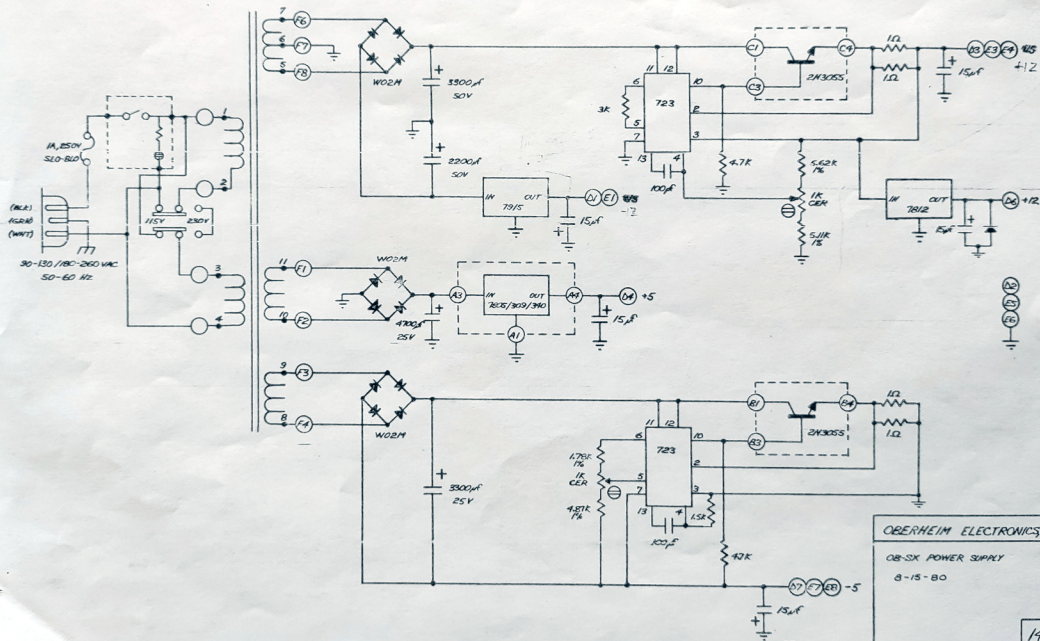


SIX VOICE
AUTO-TUNE ENABLED
OSCILLATOR 2 OFF



SIX VOICE
AUTO-TUNE ENABLED
OSCILLATOR 1 OFF

NOTE: WHEN EITHER SWITCH SEVEN OR EIGHT OR BOTH ARE DOWN, ALL FREQUENCY AND PULSE WIDTH MODULATION IS DEFEATED.

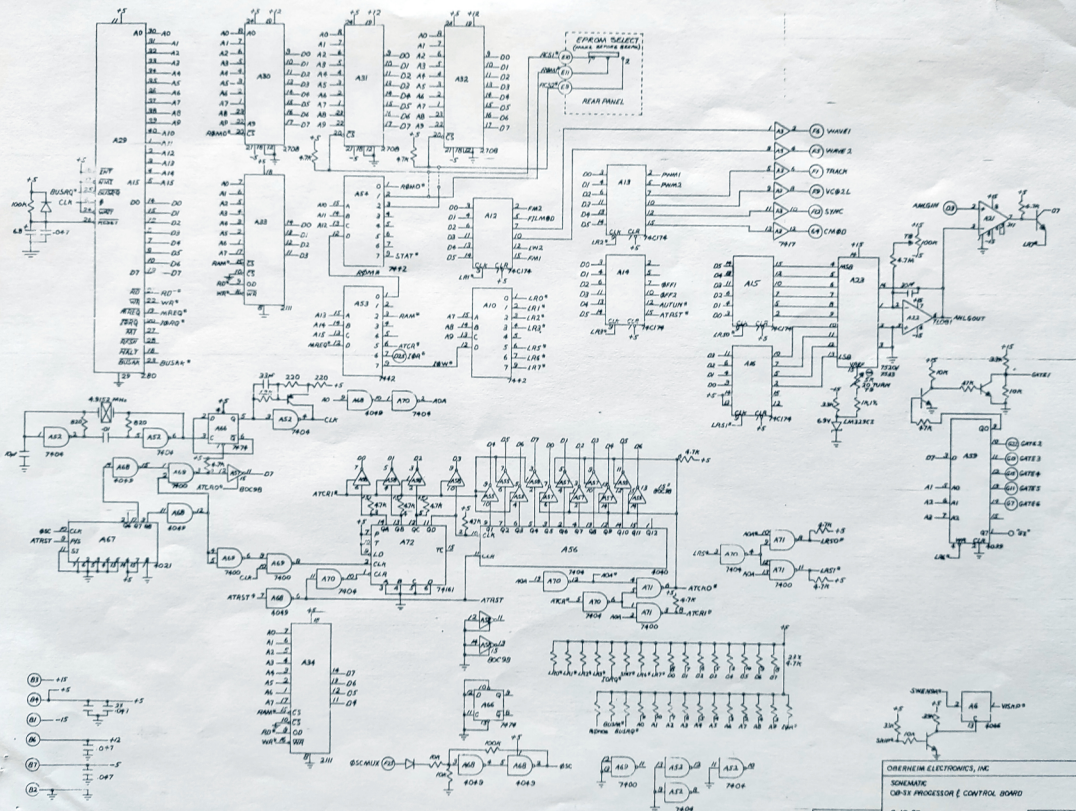


OBERHEIM ELECTRONICS, INC.

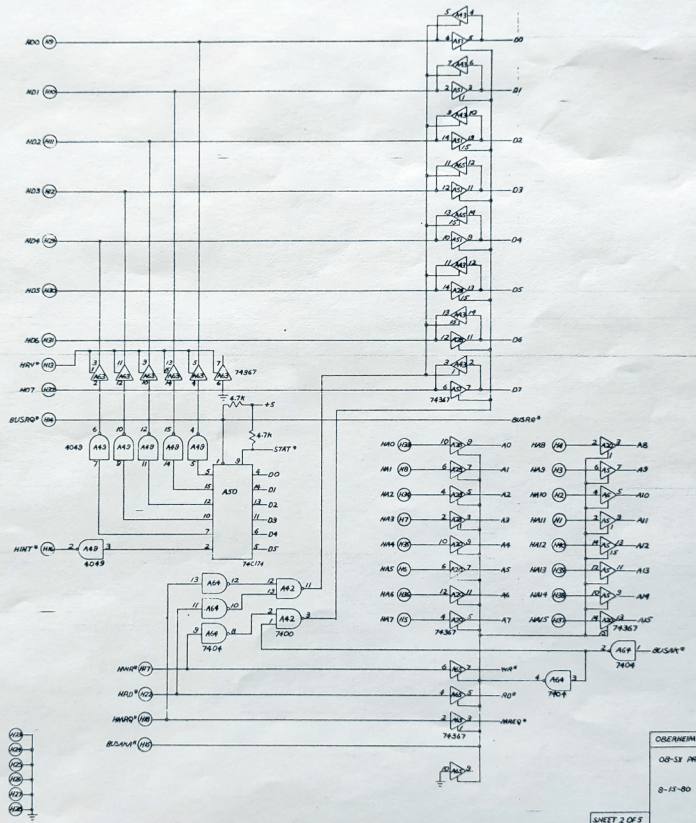
OB-SIX POWER SUPPLY

8-15-80

1962

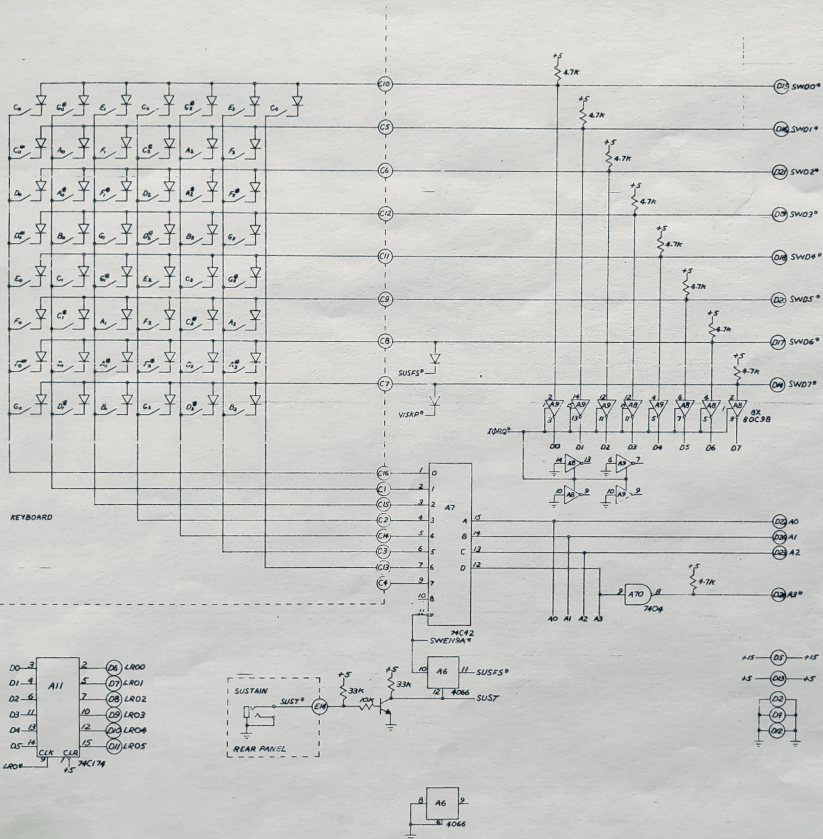


SIEMENS
6ES7 300-1EA00-0AB0
SHEET 1 OF 5



OBSCURE ELECTRONICS
 QIP-3F PROCESSOR CONTROL BOARD

Q-11-80

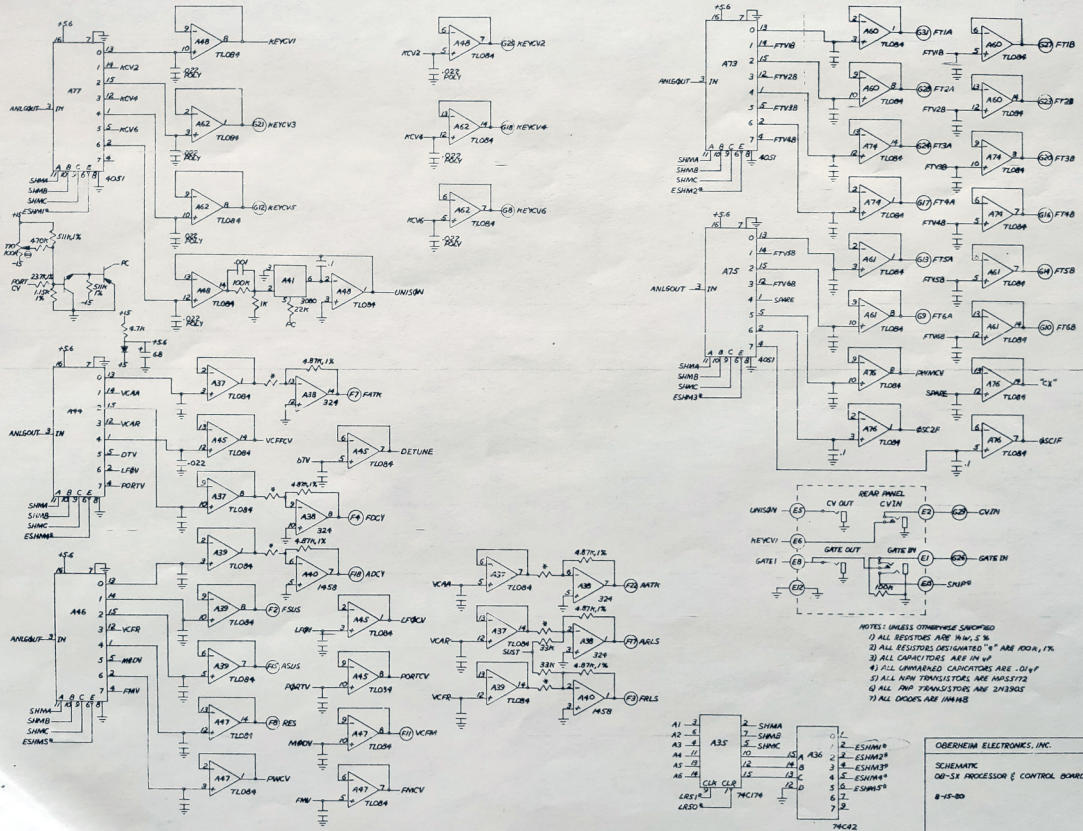


OBERHEIM ELECTRONICS, INC.
 SCHEMATIC - OB-SX PROCESSOR 6
 CONTROL BOARD

8-15-80

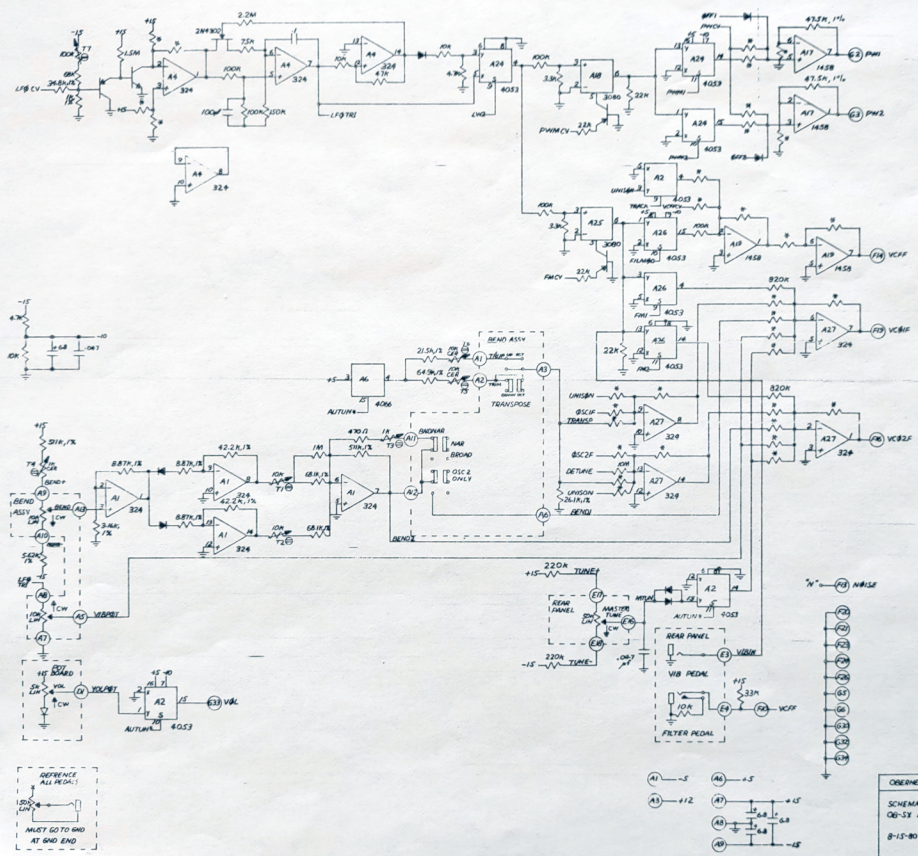
SHEET 3 OF 5

1469



NOTES: UNLESS OTHERWISE SPECIFIED
 1) ALL RESISTORS ARE 1/4W, 5%
 2) ALL RESISTORS PREVIOUSLY "*" ARE 100Ω, 1%
 3) ALL CAPACITORS ARE 50V IN V_P
 4) ALL UNLABLED CAPACITORS ARE .01μF
 5) ALL NPN TRANSISTORS ARE 1N4148
 6) ALL PNP TRANSISTORS ARE 2N3055
 7) ALL DIODES ARE 1N4148

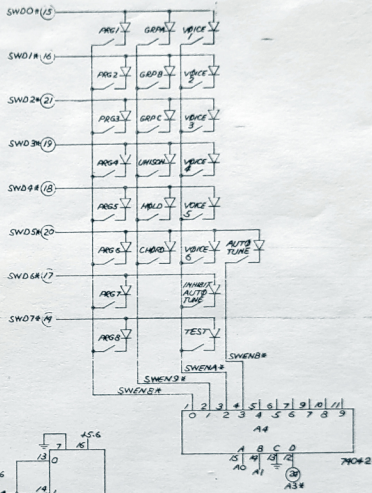
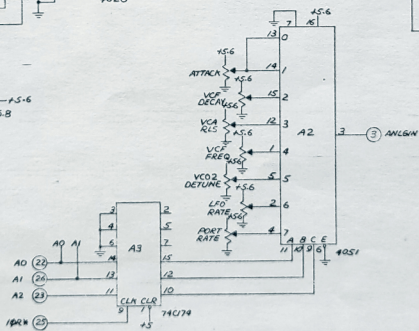
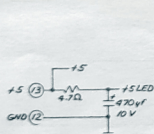
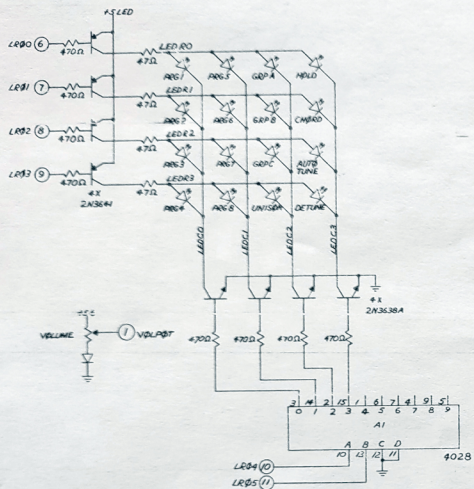
OVERHEIM ELECTRONICS, INC.
 SCHEMATIC
 DP-36 PROCESSOR CONTROL BOARD
 8-15-80



ORBEMAN ELECTRONICS INC.
 SCHEMATIC
 OR-15 PROCESSOR CONTROL BOARD
 B-15-80

SHEET 3 OF 5

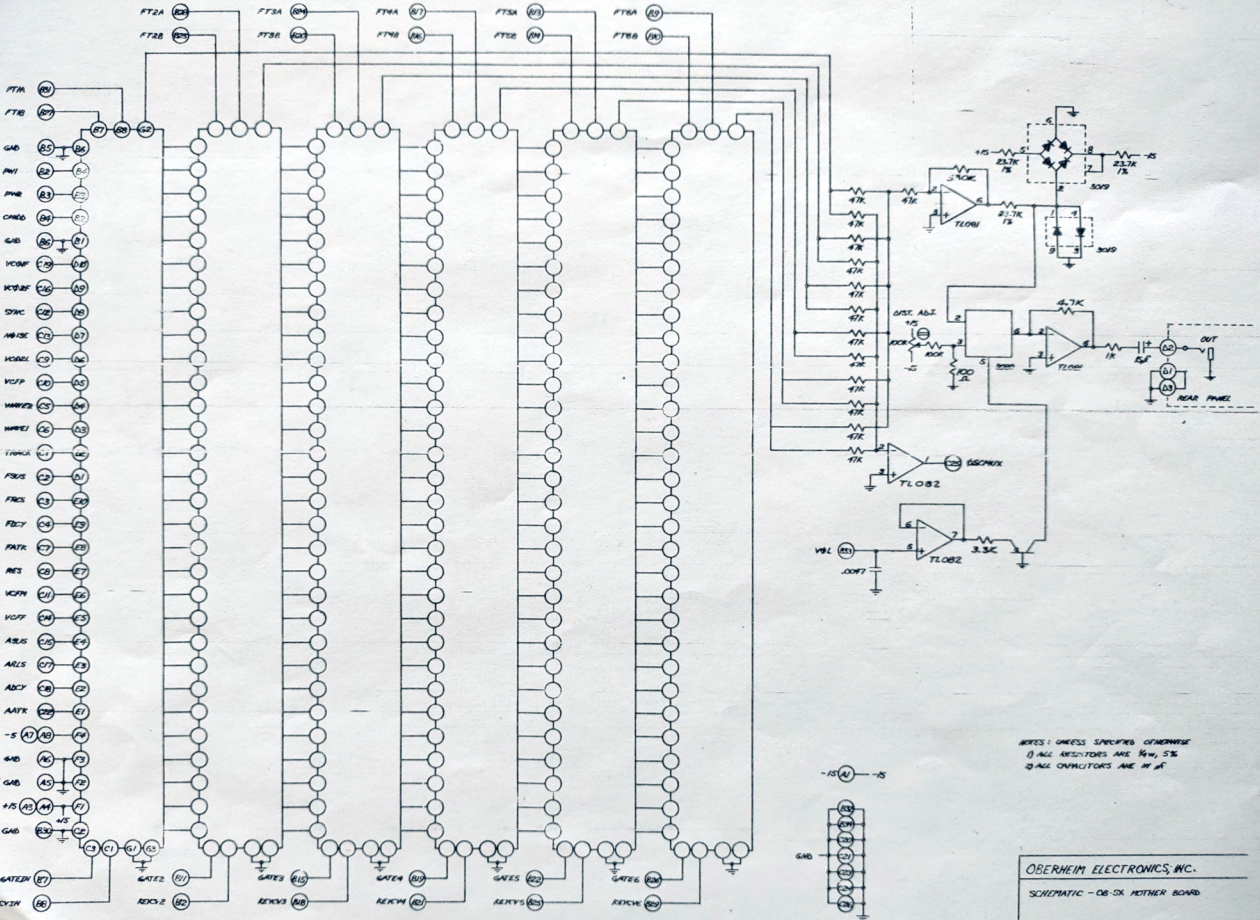
1469



- NOTES - UNLESS INDICATED OTHERWISE
 1) ALL RESISTORS ARE 1/4W, 5%
 2) ALL CAPACITORS ARE 10V 50P
 3) ALL DIODES ARE 1N4148
 4) ALL TRIPS SIDE LAM CHIP

OBERHEIM ELECTRONICS INC.
 SCHEMATIC - OB-SX PDF BOARD
 8-15-80 J.R.

1470



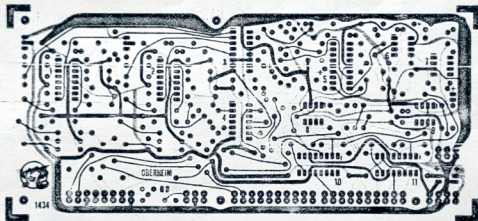
NOTES: UNLESS SPECIFIED OTHERWISE
 (1) ALL RESISTORS ARE 1/4W, 5%
 (2) ALL CAPACITORS ARE 10%

OBERHEIM ELECTRONICS, INC.

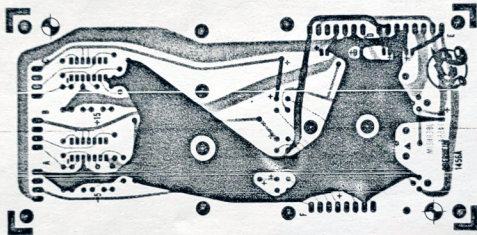
SCHEMATIC - CB-5X MOTHER BOARD

8-15-80

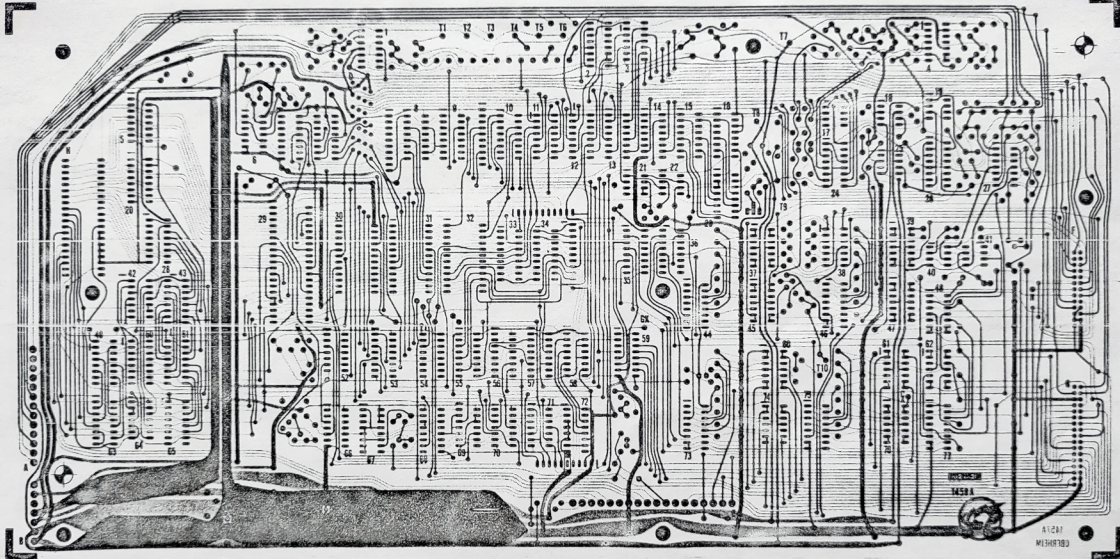
1466



OBERHEIM ELECTRONICS, INC.		
SCALE:	APPROVED BY:	DRAWN BY:
DATE:	REVISED:	REVISED:
P.C. COMPOSITE - 08-3X VOICE CARD		
		DATE/NO. REVISED:



OSBERHEIM ELECTRONICS, INC.		
DESIGN:	APPROVED BY:	DRAWN BY:
DATE:		REVISED:
P.C. COMPOSITE - 08-5X POWER SUPPLY		
		REVISION NUMBER:



11281
WEIGHTED

OBERHEIM ELECTRONICS, INC.

SCALE:	APPROVED BY:	DRAWN BY:
DATE:		REVISED:

PC COMPOSITE - 085X CONT/PROC BOARD

DRAWING NUMBER: