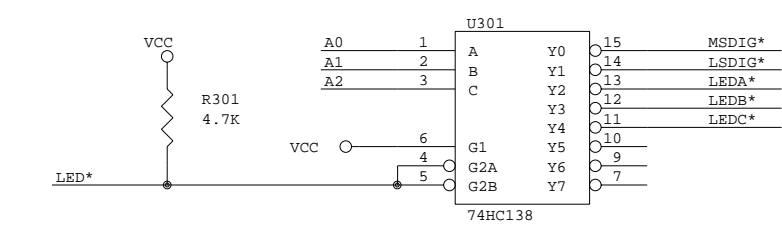
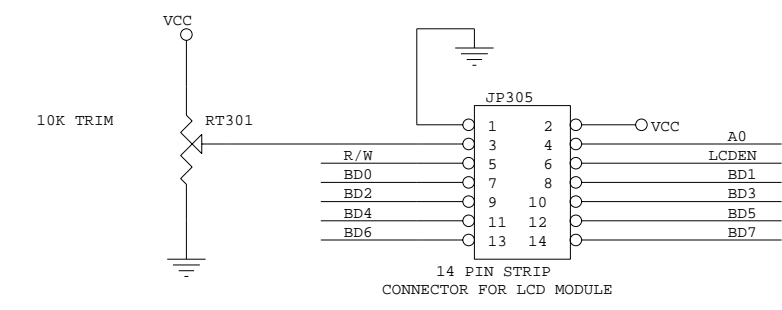
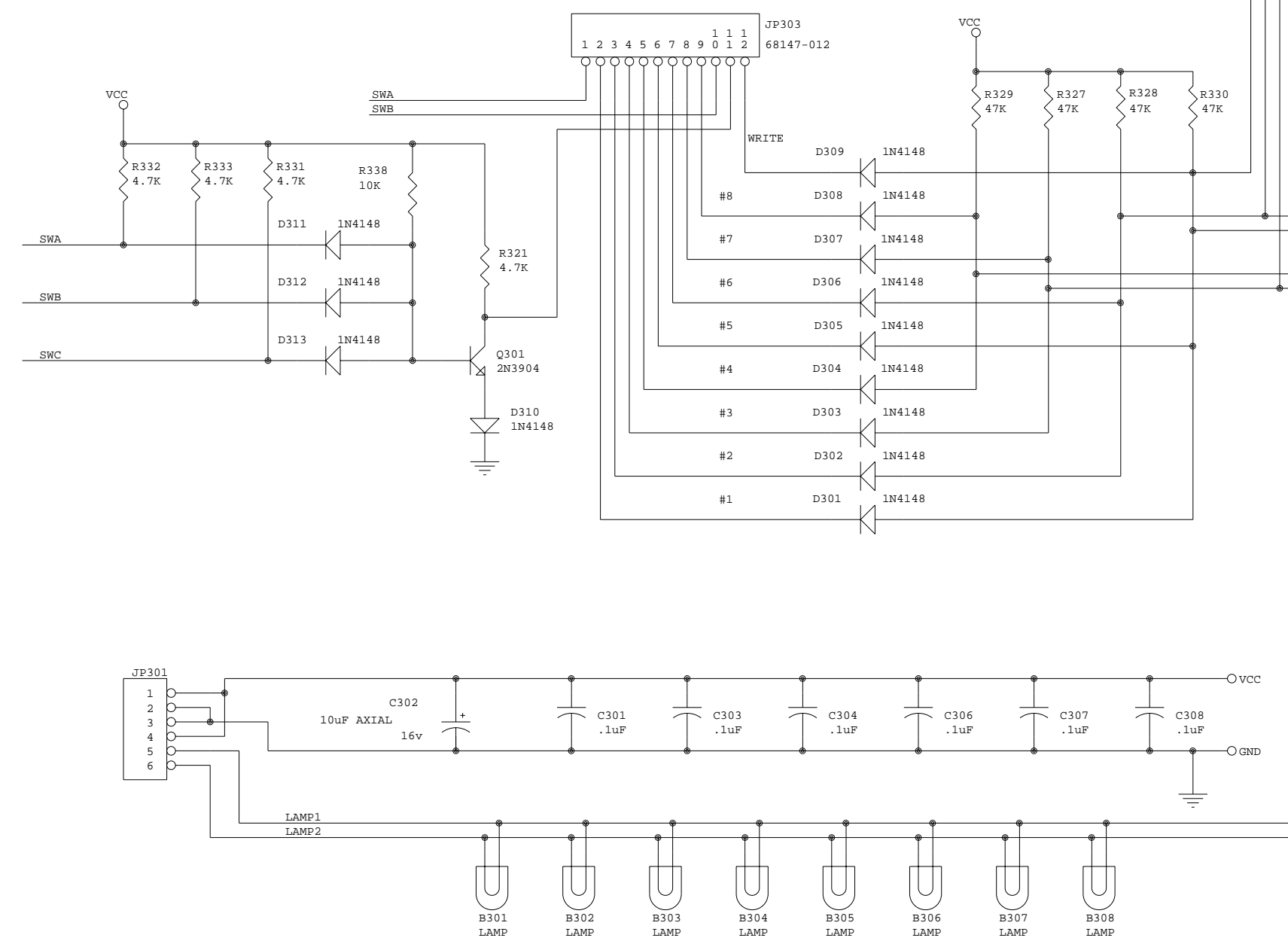
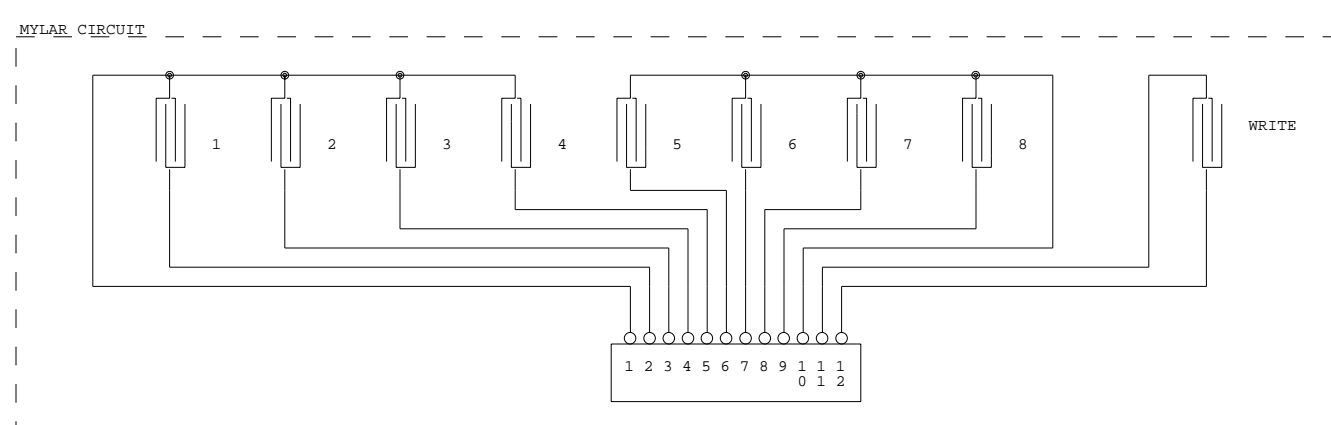
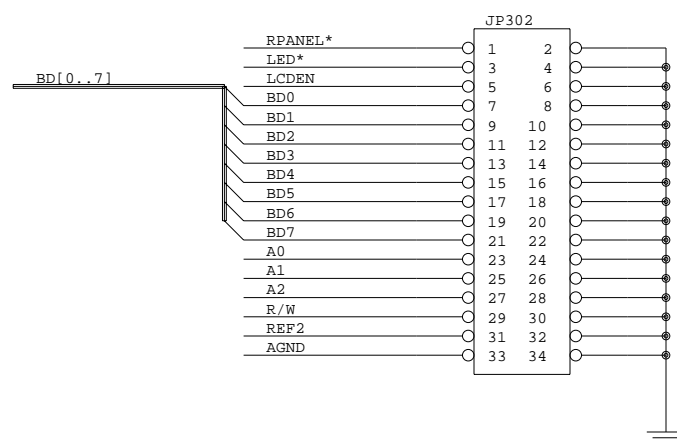


PROCESSOR/FRONT PANEL CABLE

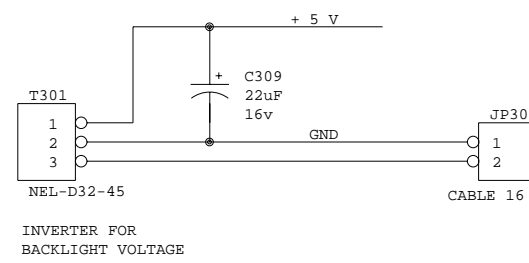
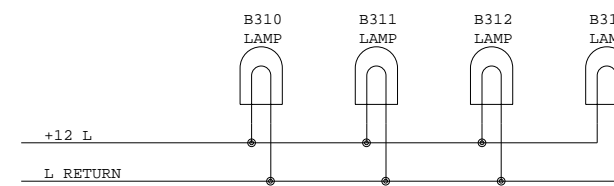
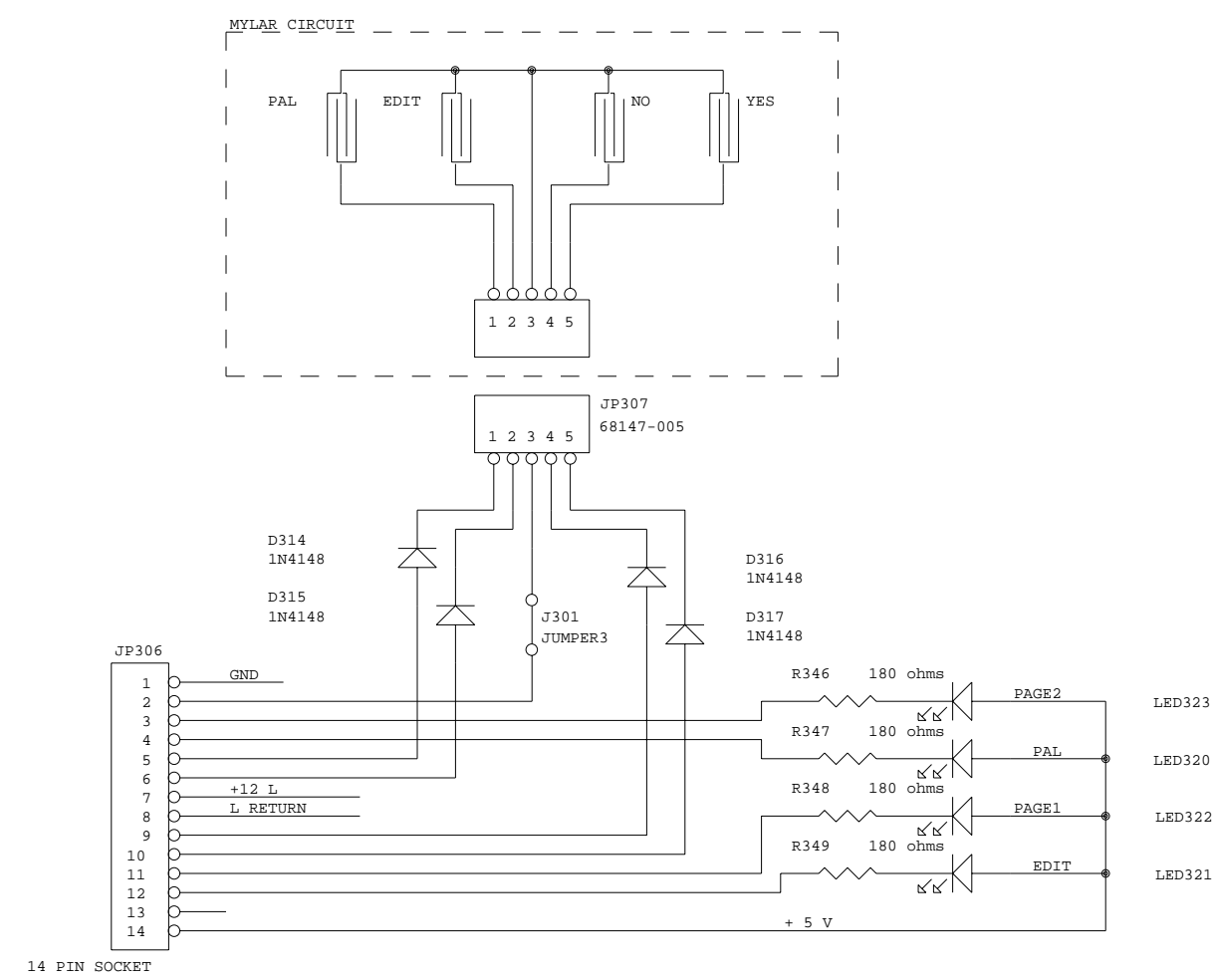


RECORD OF CHANGES

8/15/88	R304 WAS 10K - IS 56K
---------	-----------------------

After Science  
for Keyboard Technologies, Inc.

Title		GZ-1000 FRONT PANEL (LEFT SIDE)	
Size	Document Number	REV	
c	KT0001-SCH 620005	A	
Date:	August 31, 1988	Sheet	1 of 2



PCB005

After Science for Keyboard Technologies, Inc.			
Title G2-1000 FRONT PANEL (RIGHT SIDE)			
Size	Document Number		REV
c	KT0002-SCH 620005		A
Date:	July 14, 1988	Sheet	2 of 2